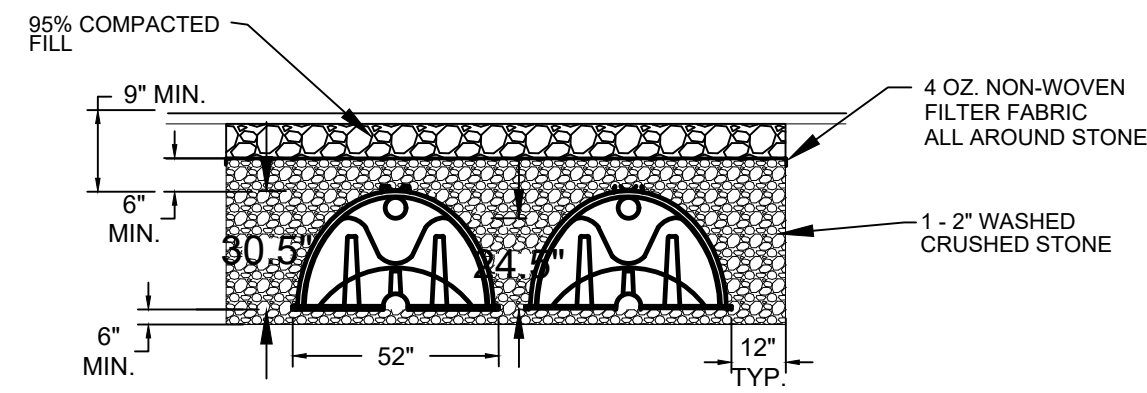
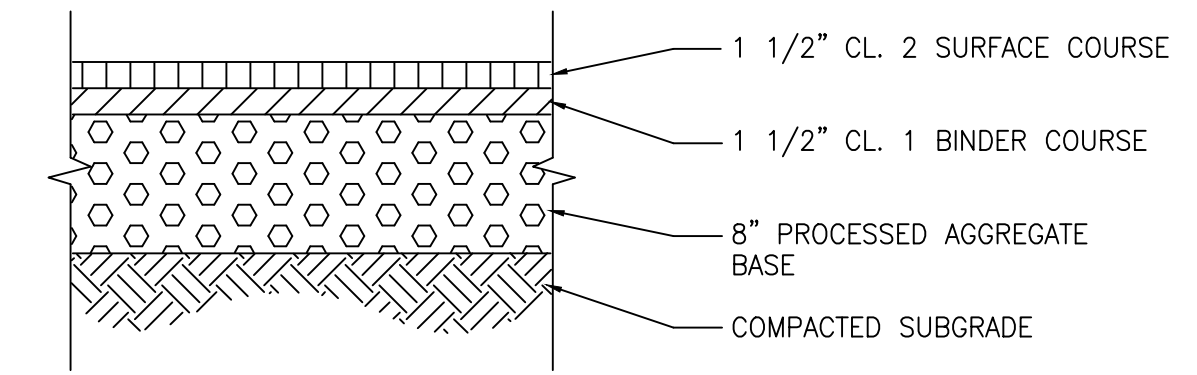


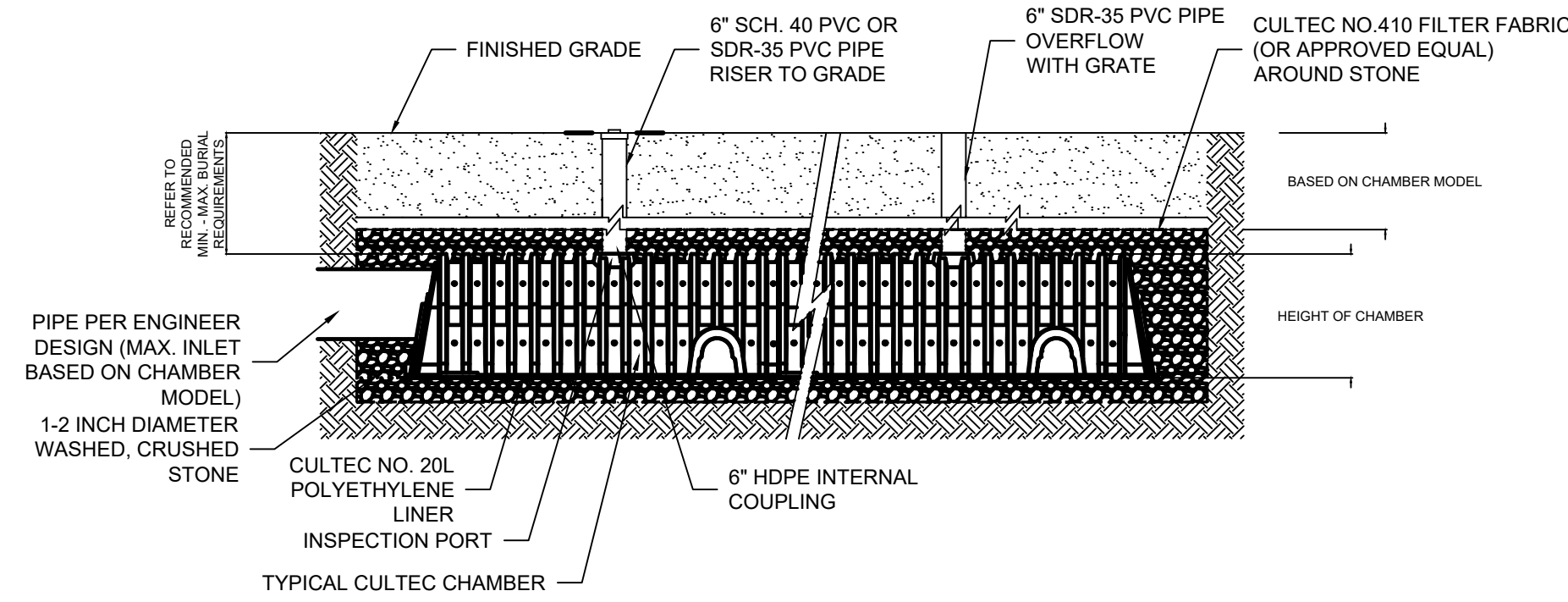
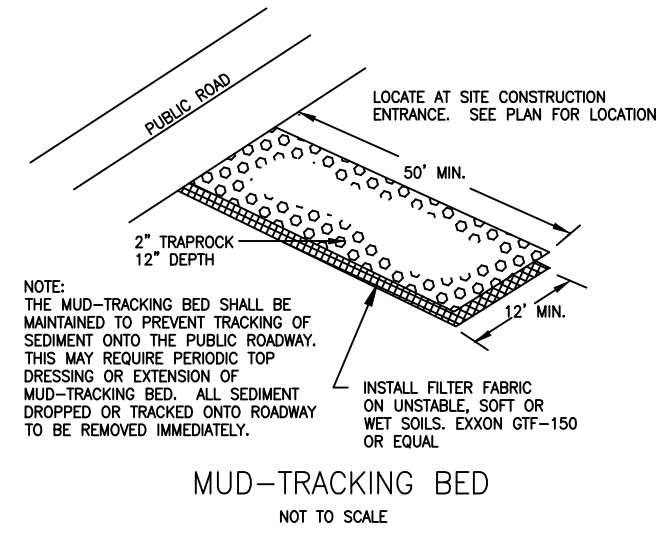
FCE Project #	1978	Date Performed:	4/28/2022
Client:	Gillian Jayson and Will Graves		
Location:	52 Sammis Street, Norwalk		
Observed by:	Wayne D'Avanzo		
Test Hole 1:			
	0-18"	Topsoil	
	18-60"	Gray Sand, stony	
		No Ledge	
		No Mottling	
		No Groundwater	
		Roots to 19"	



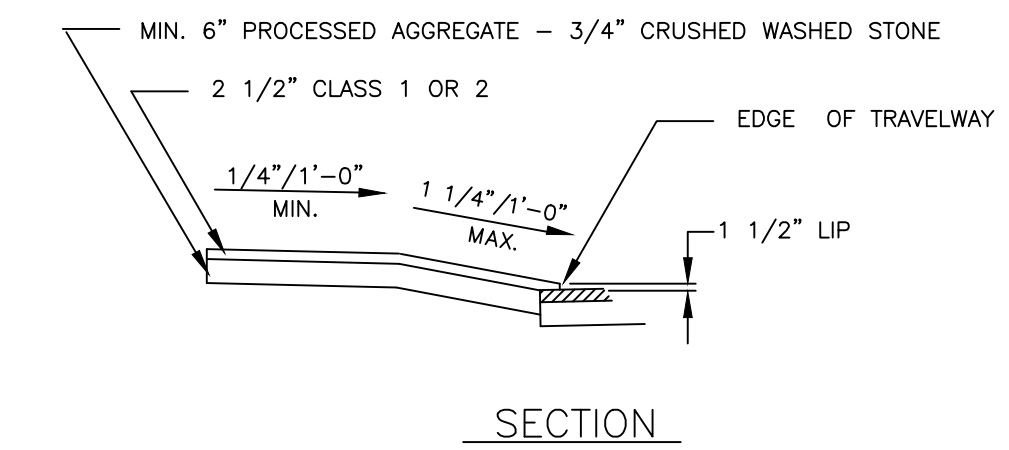
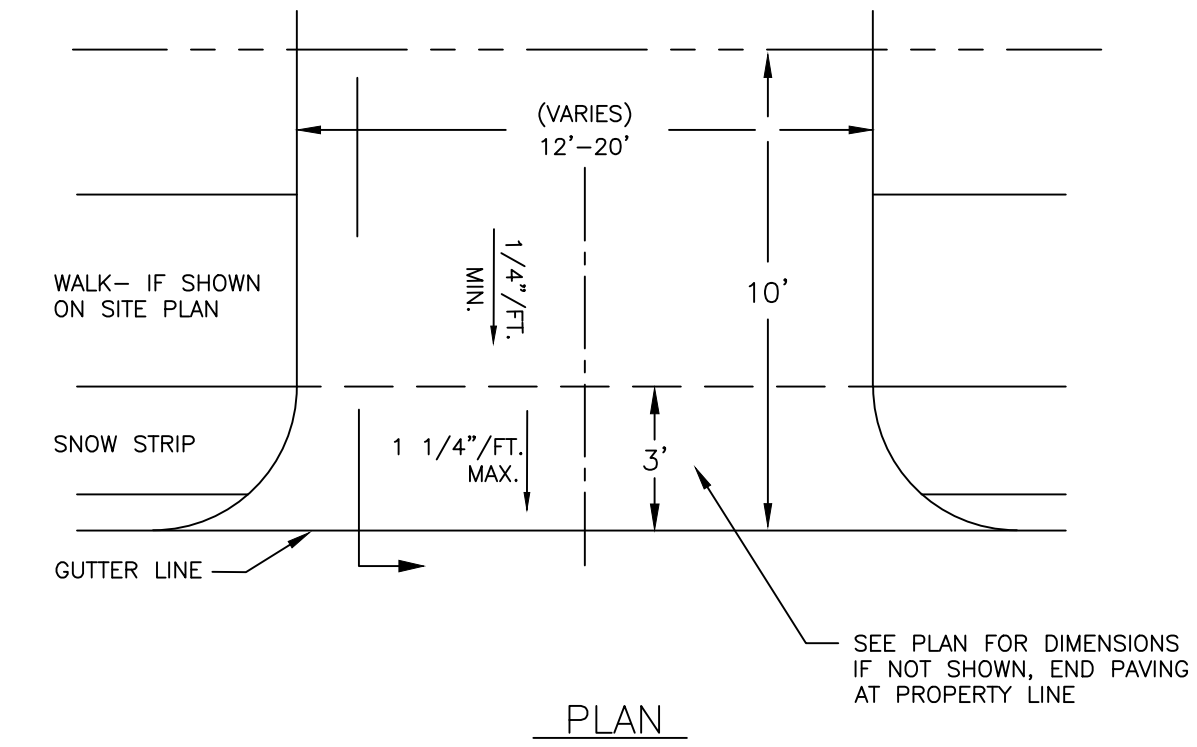
CULTEC RECHARGER 330XLHD
TYPICAL CROSS SECTION



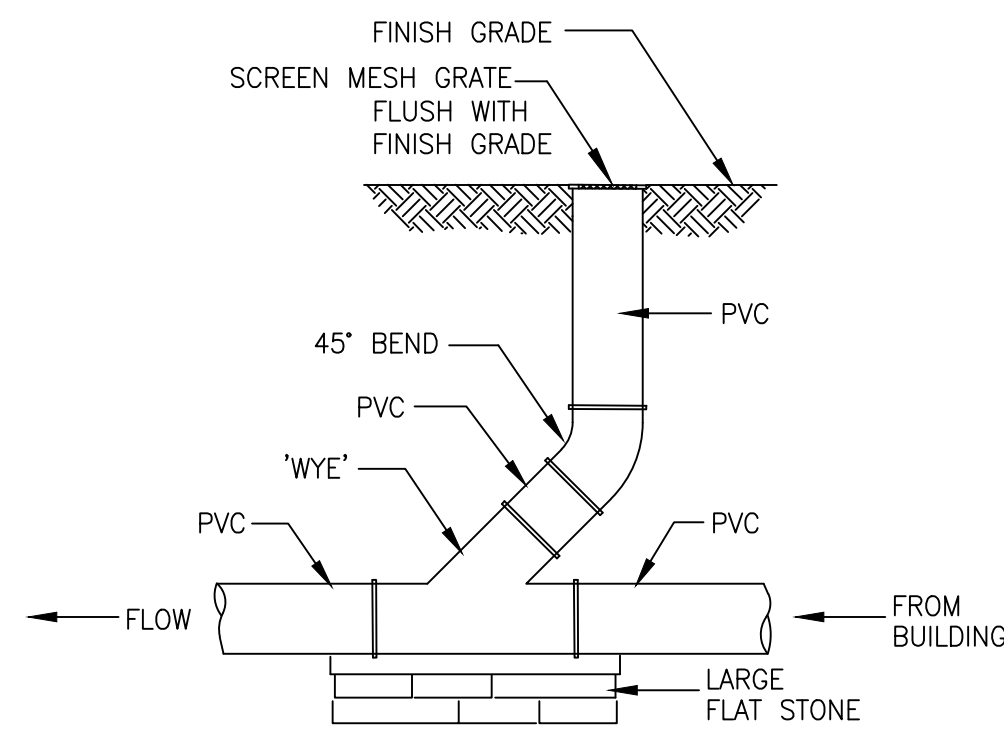
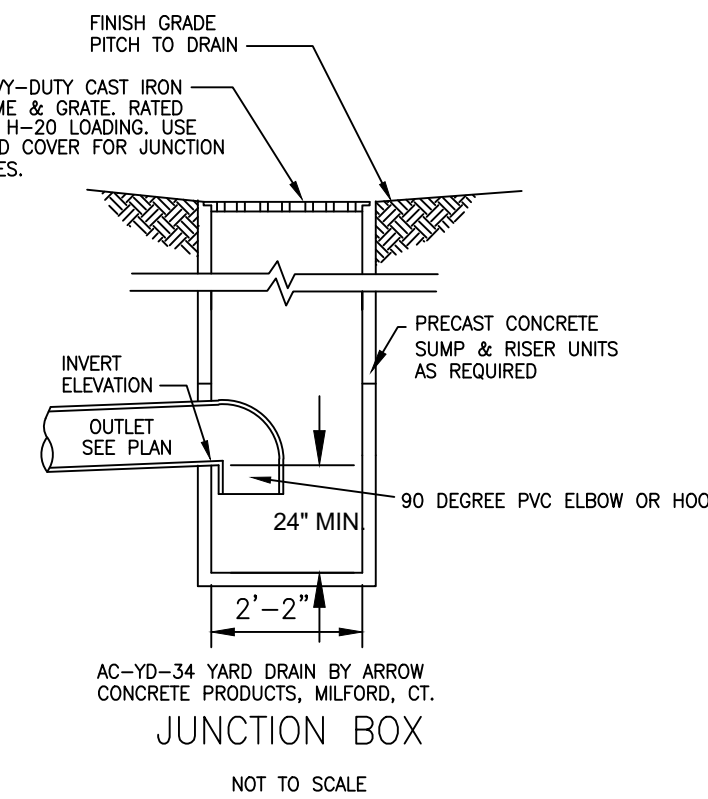
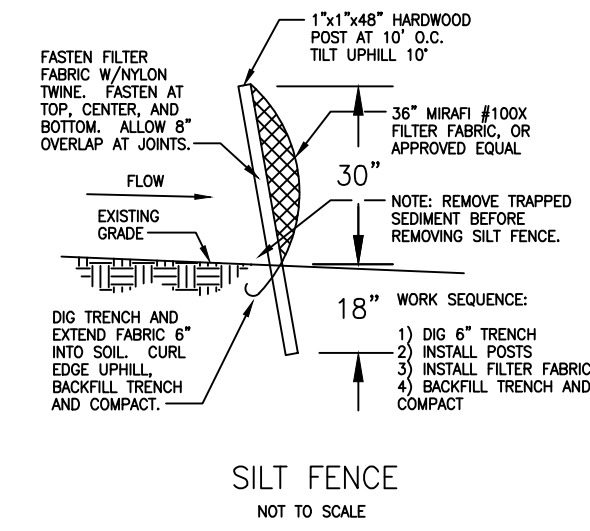
DRIVEWAY PAVEMENT
NOT TO SCALE



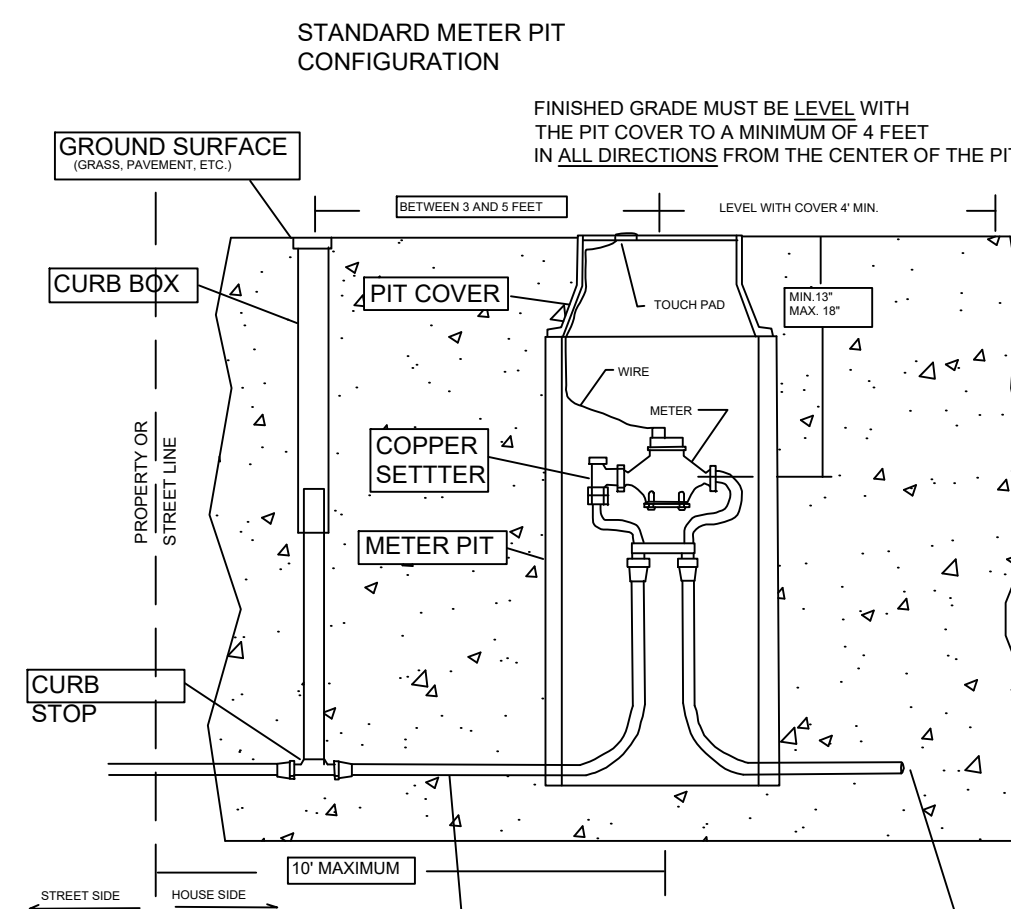
CULTEC INSPECTION PORT AND OVERFLOW
(AS APPLICABLE)



ASPHALT DRIVEWAY APRON
NOT TO SCALE



TYPICAL CLEANOUT
NOT TO SCALE



NOTES

THE METER PIT SHALL BE INSTALLED WITHIN TEN FEET (10') OF THE PROPERTY OR STREET LINE.

MINIMUM SERVICE PIPE COVER IS 2 FEET.

THE WATER DEPARTMENT INSTALLS SERVICES UP TO AND INCLUDING THE CURB BOX AND CURB STOP LEAVING A 4\"/>

THE WATER DEPARTMENT WILL INSTALL A WATER METER WITH A TOUCH PAD WIRE TO THE PIT COVER IF METER IS NOT INSTALLED HAS BEEN INSPECTED AND APPROVED.

MATERIALS REQUIRED FOR METER PIT SET

METER PIT

METER PIT COVER*

COPPER SETTLER*

METER W/PIPED*

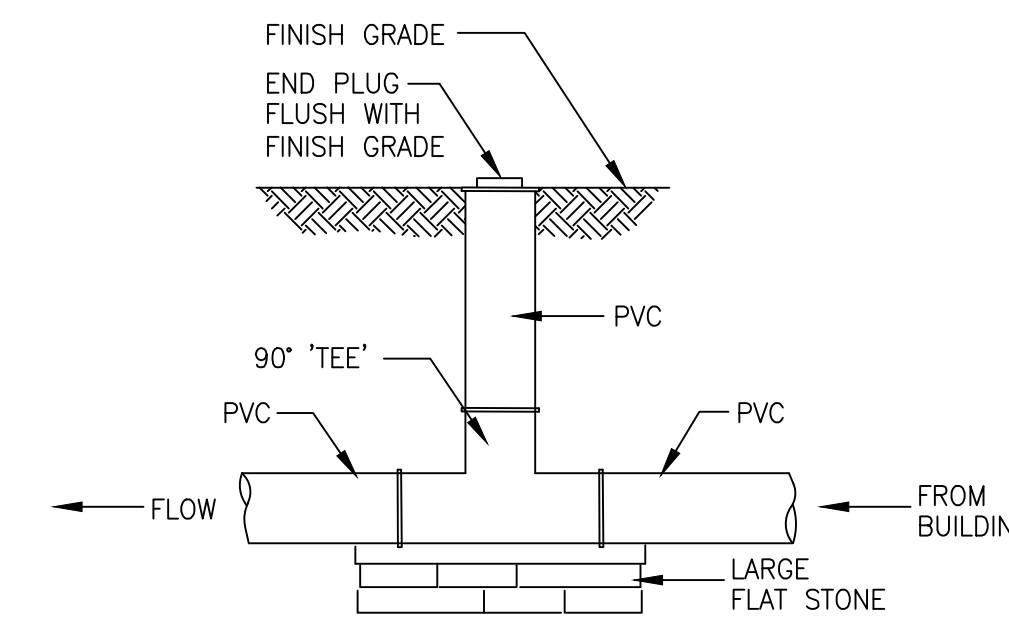
TOUCH*

CURB BOX (if required)

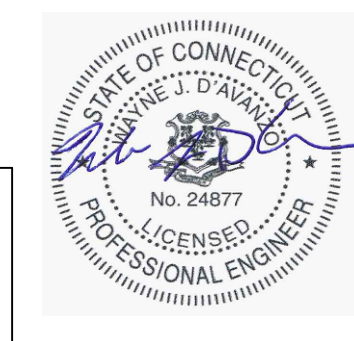
CURB STOP (if required)

* SUPPLIED BY WATER DEPT.

* MATERIALS TO BE PURCHASED FROM THE WATER DEPT.



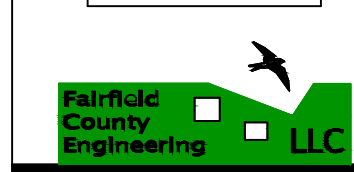
TEST TEE CLEANOUT
NOT TO SCALE



REV. 7/1/22: PER DPW COMMENTS.
GILLIAN JAYSON AND WILL GRAVES
52 SAMMIS STREET NORWALK, CONNECTICUT

4-25-22
date

DETAIL SHEET



CIVIL ENGINEERS

1978
project

FAIRFIELD COUNTY ENGINEERING L.L.C.
60 WINFIELD STREET, NORWALK, CONNECTICUT 06855 PH: (203) 831-8005 FAX: (203) 831-8006

2 OF 2
sheet